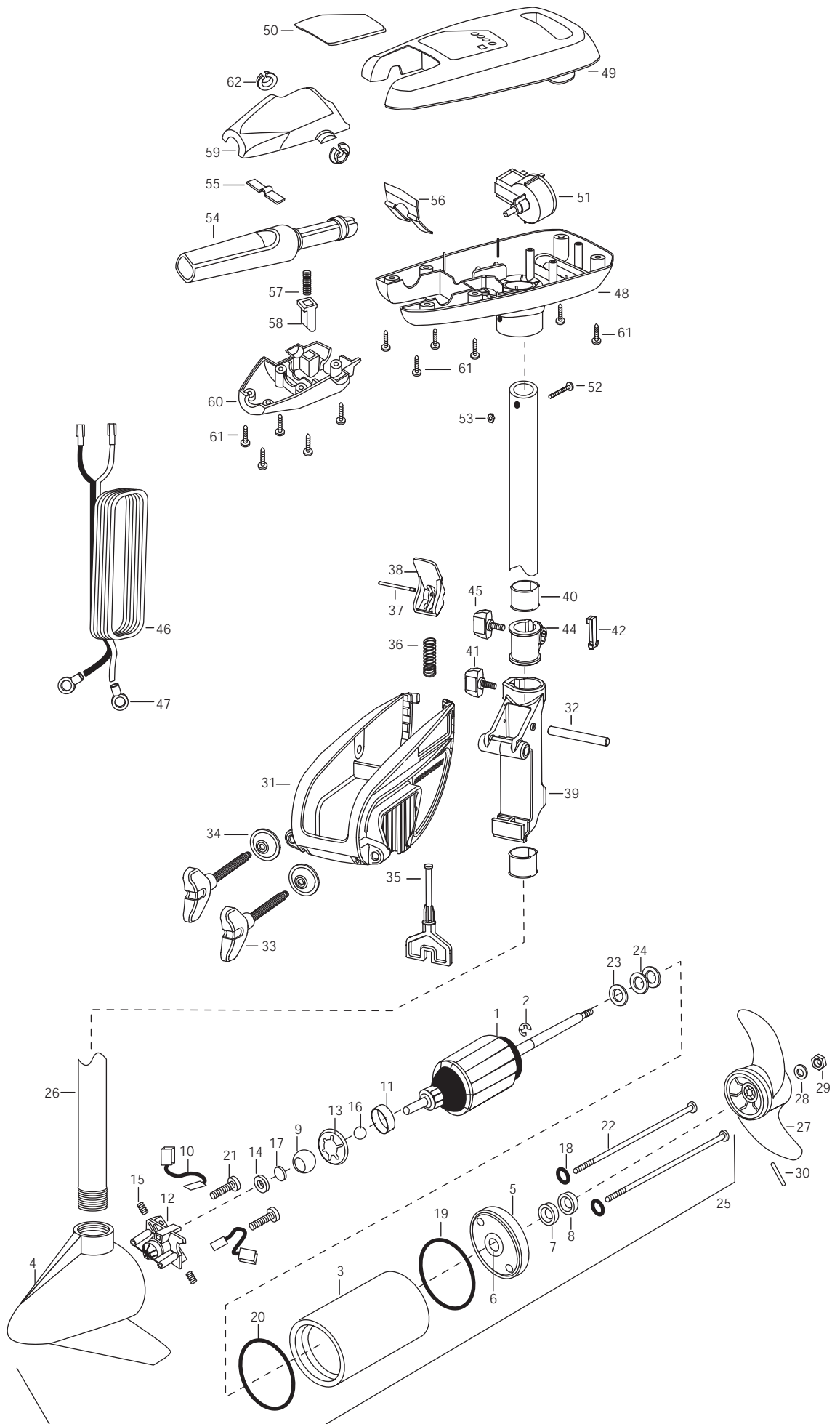


RT40/S  
40 LBS. THRUST  
12 VOLT  
36" SHAFT

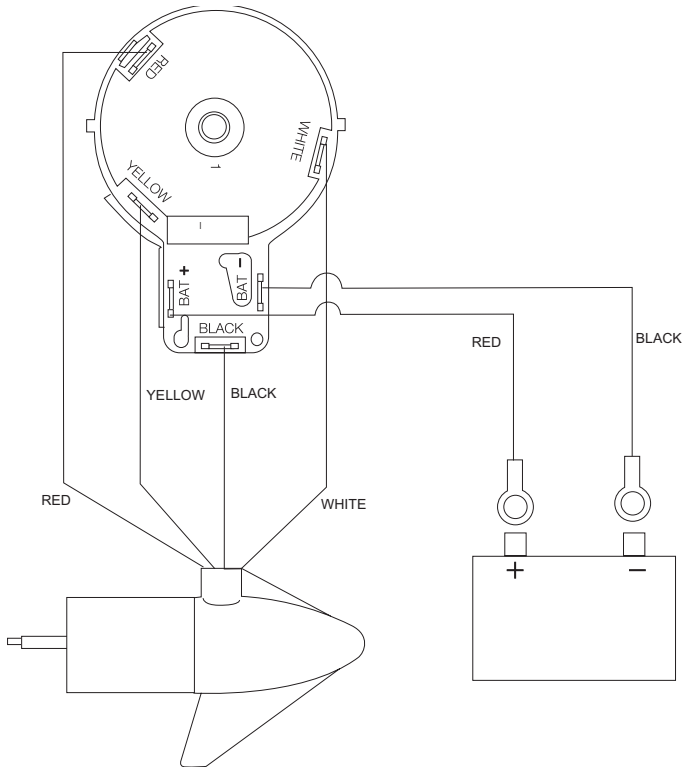


|    |           |                                   |   |         |                          |    |         |                             |
|----|-----------|-----------------------------------|---|---------|--------------------------|----|---------|-----------------------------|
| 1  | 2-100-001 | ARM ASSEMBLY12V 3.25 40*          | ■ | 1378121 | PROP KIT                 | 50 | 2095664 | DECAL-COVER (RT40/S)        |
| 2  | 788-015   | RETAINING RING                    |   | 27      | 2061121                  | 27 | 2064023 | SWITCH-FWD/REV 5 SP         |
| 3  | 431-379   | HOUSING ASSEMBLY CENTER 3.62 WHI  |   | 28      | 2151726                  | 28 | 2332102 | SCREW-10-24 X 1-3/4 SS      |
| 4  | 2-300-332 | HOUSING BRUSH END 3.25 SPCO       |   | 29      | 2198400                  | 29 | 2333101 | NUT-HEX NYLOC               |
| 5  | 2-400-127 | PLAIN END HOUSING 3.25            |   | 30      | 2092600                  | 30 | 2990911 | HANDLE ASSY-W/U-JOINT 5SPD  |
| 6  | 144-049   | BEARING - FLANGE [SERVICE ONLY]   | ■ | 2771816 | BRACKET & HINGE ASSEMBLY | 55 | 2302742 | SPRING-DETENT (OFF) SS      |
| 7  | 880-003   | **SEAL                            | ■ | 2771913 | BRACKET ASSEMBLY         | 56 | 2302743 | SPRING-DETENT HANDLE-TILT   |
| 8  | 880-006   | **SEAL WITH SHIELD                |   |         | (INCL- 31,33,34)         | 57 | 2302745 | SPRING-RELEASE BUTTON SS    |
| 9  | 144-050   | BEARING - SPHERICAL               |   | *31     | 2061910                  | 58 | 2303720 | RELEASE BUTTON-HANDLE       |
| 10 | 188-052   | BRUSH ASSEMBLY [2.EA]             |   | 32      | 2060511                  | 59 | 2060410 | HANDLE (TOP HALF)NO MAXIM   |
| 11 | 725-033   | BRUSH RETENTION- PAPER TUBE       |   | *33     | 2061301                  | 60 | 2060415 | HANDLE (LOWER HALF)         |
| 12 | 738-030   | BRUSH PLATE W/HOLDER 3.25         |   | *34     | 2331700                  | 61 | 2303412 | SCREW-6-20 X 5/8 [11.EA]    |
| 13 | 784-036   | BEARING RETAINER                  |   | 35      | 2063605                  | 62 | 2060005 | BEARING-HANDLE PIVOT [2.EA] |
| 14 | 991-025   | WASHER - FELT                     |   | 36      | 2062706                  |    |         |                             |
| 15 | 975-032   | SPRING - COMPRESSION [2.EA]       |   | 37      | 2060516                  |    |         |                             |
| 16 | 116-020   | BALL - STEEL                      |   | 38      | 2067201                  |    |         |                             |
| 17 | 303-039   | THRUST DISC - METAL               |   | 39      | 2061810                  |    |         |                             |
| 18 | 701-007   | **O-RING [2.EA]                   |   | 40      | 2037301                  |    |         |                             |
| 19 | 701-039   | **O-RING MK406460                 |   | 41      | 2011386                  |    |         |                             |
| 20 | 701-041   | **O-RING                          |   | 42      | 2062800                  |    |         |                             |
| 21 | 830-001   | SCREW -SELF THRD 8-32X1.7 [2.EA ] |   | 44      | 2061520                  |    |         |                             |
| 22 | 830-078   | THRU BOLT 8-32 X 8.96 [2.EA]      |   | 45      | 2011366                  |    |         |                             |
| 23 | 990-067   | WASHER - STEEL THRUST             |   | 46      | 2090600                  |    |         |                             |
| 24 | 990-070   | WASHER - NYLATRON [2.EA]          |   | 47      | 2020700                  |    |         |                             |
| 25 | 2068054   | MTR ASSEMBLY 12V 3.25 5SP SW 40/W |   | 48      | 2062552                  |    |         |                             |
| 26 | 2032035   | TUBE (COMPOSITE) 25 WHT           |   | 49      | 2060264                  |    |         |                             |

**\*\*Seal & Oring Kit P/N 2883460**

\* This item is part of an assembly. This item cannot be sold separately due to machining and /or assembly that is required.

P/N 2094904A REV.A 10-02



**RT 40/S 12 VOLT**