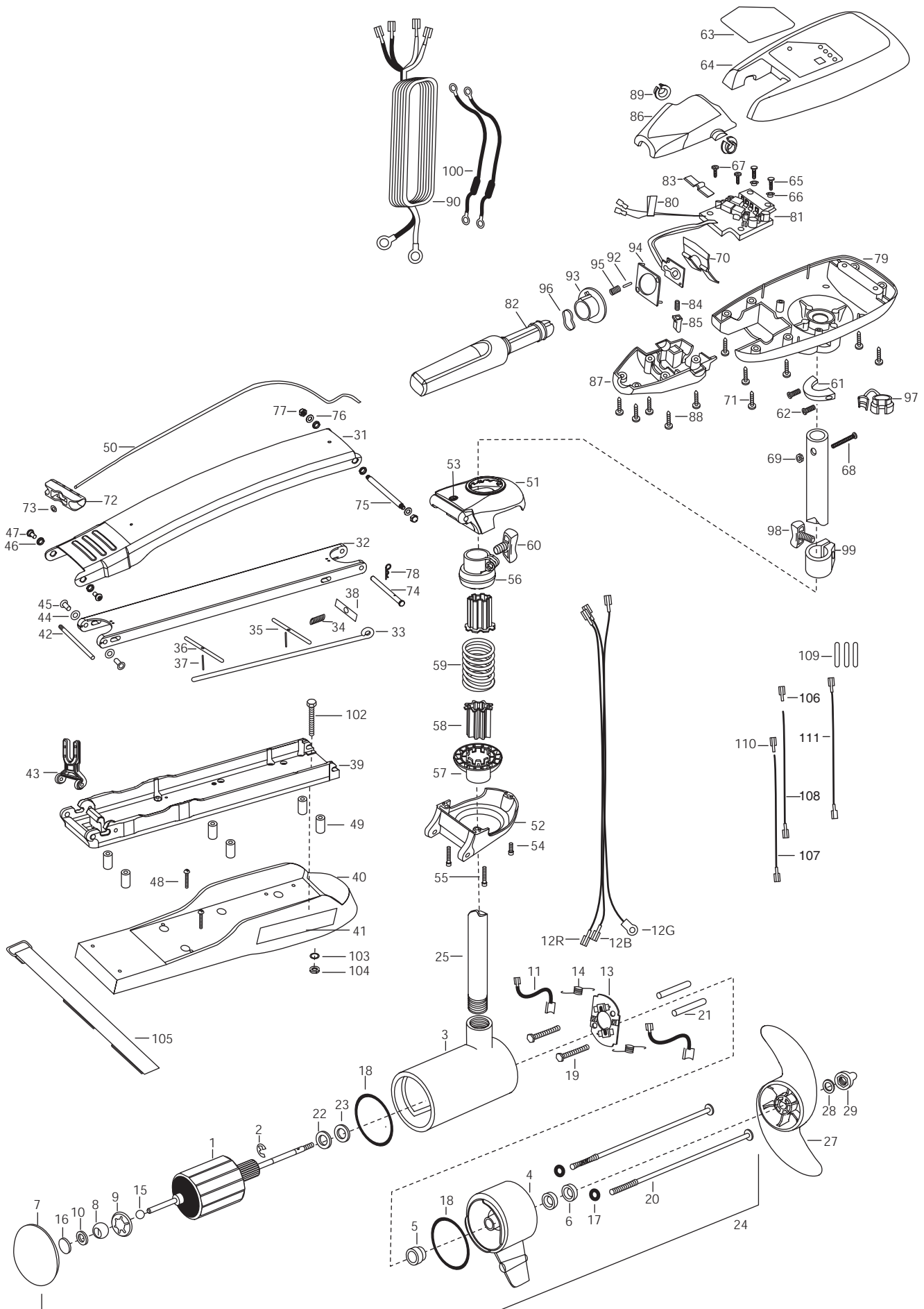


RT101/B  
101 LBS THRUST  
36 VOLT  
52" or 62" SHAFT



1	2-100-110	ARMATURE ASSEMBLY 36V VARS SW	36	2233603	LOCK BAR, REAR - SS	73	2151700	WASHER-EYE SHAFT(.562 OD)
2	788-040	RETAINING RING	37	2152610	SPRING-PIN (LOCKEAR) [2.EA]	74	2262606	PIN- CLEVIS MAXXUM BWGRD SS
3	431-310	CENTER HOUSING ASSEMBLY- 4.0 SW TXT WHT	38	2262703	SPRING STOP	75	2262604	PIN- BWGRD UPPER THREADED SS
4	2-300-340	BRUSH END HOUSING ASSEMBLY 4 SW WHT	39	2993983	BOWPLATE/INSRT ASSEMBLY STD-52"	76	2261722	WASHER-FLAT 5/16 SS [2.EA]
5	144-017	BEARING -FLANGE (SERVICE ONLY)		2993982	BOWPLATE/INSRT ASSEMBLY LG- 62"	77	2263100	NUT- TENSION 5/16-18 SS [2.EA]
6	880-025	**SEAL [2.EA]	40	2263914	MOTOR REST STD-MAXXUM WHT-52"	78	2260800	CLIP- HAIR SPRING SS MAX BG
7	2-400-341	PLAIN END HOUSING ASSEMBLY 4.0 WHT		2263915	MOTOR REST LONG-MAX WHT-62"	79	2062596	CONTROL BOX SW .725 BORE WHT
8	144-021	BEARING -SPHERICAL	41	2065676	DECAL- MOTOR REST RT W [2.EA]	80	2305810	TAG-AIR SWITCH LEADS
9	784-025	BEARING RETAINER	42	2260505	PIN-HINGE (HEADLESS) S/S	81	2264013	CTRL BOARD ASSEMBLY-RT 101
10	991-040	WASHER FELT	43	2293811	YOKE,MAX MNT-POLYPROPYLENE	82	2990915	HANDLE ASSEMBLY W/O U-JOINT
11	188-094	BRUSH 4" W/TERMINAL [2.EA]	44	2261708	WASHER-3/8"X1/2"X.010 [2.EA]	83	2302742	SPRING-DETENT (OFF) SS
12B	640-017	BRUSH WIRE BLACK 10 AWG 61	45	2236000	BEARING NYLINER [2.EA]	84	2302745	SPRING-RELEASE BUTTON SS
12R	640-121	BRUSH WIRE RED 10 AWG 62-1/2	46	2293501	BUSHING, STAINLESS STEEL [4.EA]	85	2303720	RELEASE BUTTON-HANDLE
12G	640-303	GROUND WIRE GREEN 18 AWG 61 GPT	47	2263500	BOLT, SHOULDER (MAXXUM) [2.EA]	86	2060411	HANDLE (TOP HALF)MAXXUM
13	738-004	BRUSH PLATE -4" TERMINAL	48	2263434	SCREW-#8-18 K 1" PPH S/S -52" [2.EA]	87	2060415	HANDLE (LOWER HALF)
14	975-041	SPRING -TORSION [2.EA]	49	2261505	SPACER, MOTOR REST-52" [6.EA]	88	2303412	SCREW-#6-20 X 5/8 SELF TAP [5.EA]
15	116-025	BALL -STEEL	50	2251601	ROPE (40'), MAXXUM MOUNT	89	2060005	BEARING-HANDLE PIVOT [2.EA]
16	303-043	THRUST DISC- METAL	■	2994833	BAG ASSEMBLY,MAX STABILIZER KIT	90	2090600	LEADWIRE (10 GA) RINGS
17	701-009	**O-RING -THRU BOLT [2.EA]	■	2991846	BOWGUARD ASSEMBLY SW WHT HCT	92	2302600	PIN-ACTUATOR
18	701-043	**O-RING [2.EA]	51	2261968	BRKT BASE TOP/EYLET SW WHT	93	2302850	ACTUATOR-CAM
19	830-027	SCREW -SELF THREADED 10-32 X 2"[2.EA]	52	2991877	BRKT BTM/BEARING SW WHT	94	2302851	ACTUATOR-FWD/REV
20	830-096	THRU BOLT 12-24 X 11.56" SS [2.EA]	53	2772352	EYELET KIT - ROPE	95	2302740	SPRING- (ACTUATOR)
21	973-025	SPACER -BRUSH PLATE [2.EA]	54	9954533	SCREW-1/4-20 K 3/4 SS	96	2302741	SPRING-CAM (ZNC PLTD STEEL
22	990-051	WASHER-STEEL THRUST	55	2263404	SCREW-1/4-20X2 1/4 SCHP SS [2.EA]	97	2052900	STRAIN RELIEF-C.CORD/SPC
23	990-052	WASHER- NYLATRON	■	2884701	SLEEVE/INSERT KIT INCL. 59,60,61	98	2011366	SCREW-COLLAR/NEW KNOB SS
24	2317053	MOTOR ASSEMBLY 36V 4.0 VARS SW 101 WHT	*56	2261525	SPRING-SLEEVE UPPER	99	2031520	COLLAR-DEPTH (W/O INSERT)
25	2032034	TUBE- COMPOSITE 52" WHT	*57	2261535	SPRING SLEEVE, LOWER	100	2998200	CIRCUIT BREAKER ASSEMBLY,36V [2.EA]
	2032085	TUBE-COMPOSITE 62" WHT	*58	2264702	INSERT-TUBE (2 PER) B.MNT	■	2994832	BAG ASSEMBLY MAX101 -62"
■	1378103	PROPELLER KIT	59	2262705	SPRING, BOWGUARD, SS	■	2994830	BAG ASSEMBLY-INCL. 106,107,108
27	2331130	PROPELLER- WEEDLESS WEDGE	60	2011366	SCREW-COLLAR/NEW KNOB SS	*102	2263431	SCREW 1/4-20 K 3.5 PPH [6.EA]
28	2091701	WASHER- PROP LARGE MAX101	61	2061517	COLLAR-CTRL BOX SW WHT	*103	2261713	WASHER-1/4 FLAT S/S [6.EA]
29	2198401	ANODE-ZINC 4.0 LWR UNIT	62	2223430	SCREW-#8X3/4 PPH TYPE 25 SS [2.EA]	*104	2263103	NUT-1/4-20 NYLOCK-JAM S/S [6.EA]
■	2991843	MOUNT,BOW ASSEMBLY, SW STD WHT W/BG	63	2095683	DECAL-COVER, RT101/B/S HC	105	2263802	STRAP-HOLD DWN 30.5" VELCRO
	2991844	MOUNT,BOW ASSEMBLY, SW LG-62" W/BG WHT	64	2300219	COVER- CONTROL BOX RIPTIDE WHT			
31	2264244	ARM-UPPER STD SW TXT WHT -52"	65	2301310	SCREW-#8-18 X 1/2 SS [2.EA]			62" SHAFT ONLY _____
	2264249	ARM-UPPER LONG SW TXT WHT -62"	66	2301710	WASHER-INSUL. (TRANSFBAR) [2.EA]	106	2030710	CONNECTOR BUTT [2.EA]
32	2994310	ARM-LOWER ASSEMBLY STD SW WHT-52"	67	2372100	SCREW-#8-18 X 5/8 THDT SS [2.EA]	107	2030317	WIRE EXTENSION 18" RED
	2994320	ARM-LOWER ASSEMBLY LNG SW WHT -62"	68	2263406	SCREW-#10-24 X 2 SS	108	2030316	WIRE EXTENSION 18" BLACK
33	2153603	EYE SHAFT-2LOCKBAR STD-52"	69	2333101	NUT-#10-24 NYLOCK SS	109	2375400	SHRINK TUBE 1/4 X1-3/4" [3.EA]
	2153605	EYE SHAFT-2LOCKBAR LONG- 62"	70	2302743	SPRING-DETENT (HANDLE-TILT)	110	2030711	CONNECTOR BUTT
34	2152701	SPRING-(LOCKBAR) SS	71	2303412	SCREW-#6-20 X 5/8 SELF TAP [6.EA]	111	2030315	WIRE EXTENSION 18"-18 GA GREEN
35	2233601	LOCKBAR SS (NEW 500)	72	2150400	PULL-GRIP			

\*\*Seal & Oring Kit P/N 2889460

\* This item is part of an assembly. This item cannot be sold separately due to machining and /or assembly that is required.

p/n 2194926 REV. B 1-02

# RT101/B/HC 36 VOLT

