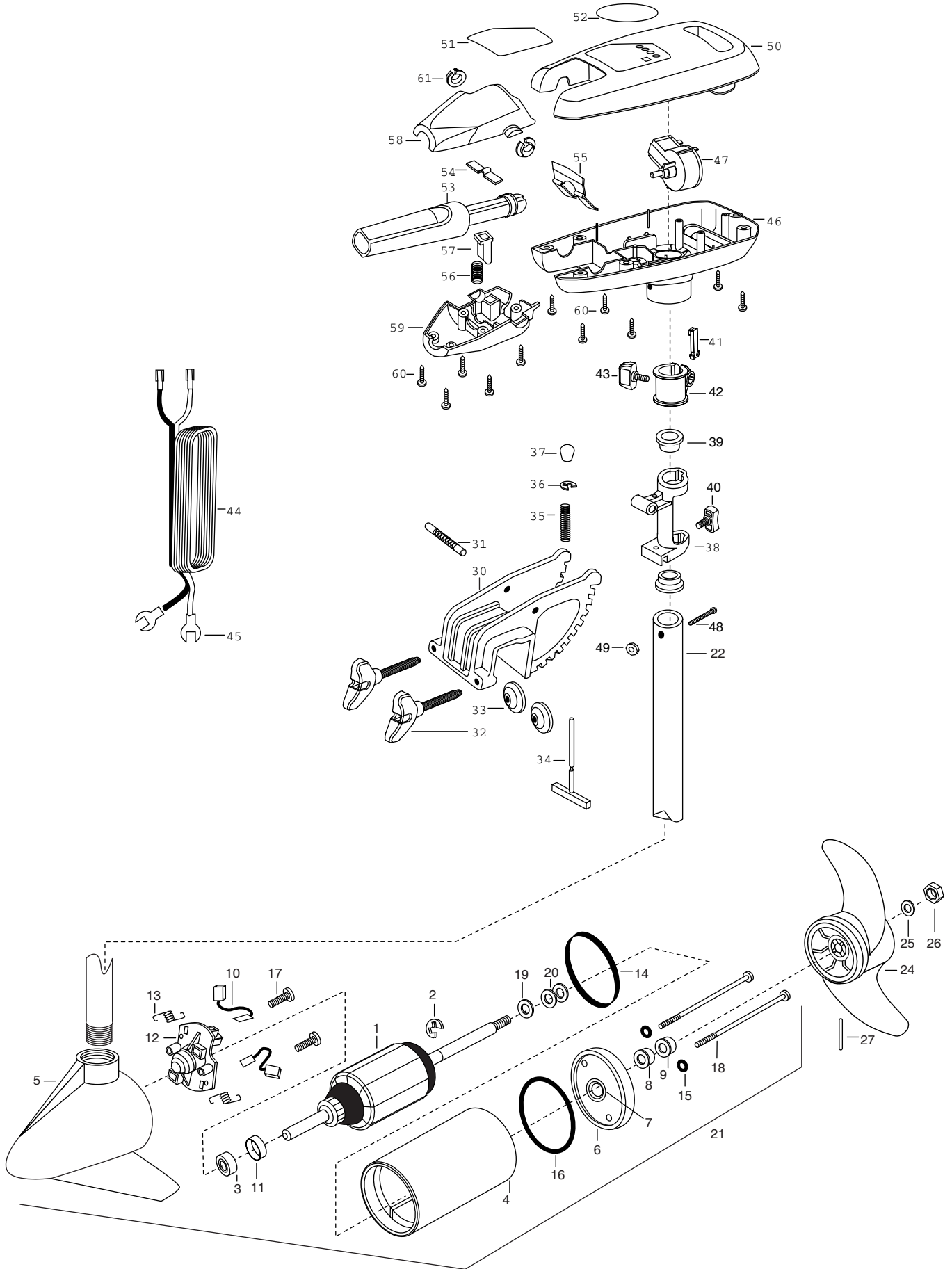


55T CABELA'S Tournament Series
55 LBS. THRUST
12 VOLT
42" SHAFT



1	92-100-013	ARMATURE ASSEMBLY 12V 3.62	31	2010511	PIN-HINGE
2	788-015	RETAINING-RING	32	2061300	SCREW-CLAMP [2 EA.]
3	140-010	BEARING -BALL	33	2011710	WASHER-CLAMP SCREW [2 EA.]
4	431-101	HOUSING- CENTER ASSEMBLY 3.62 TXT	34	2033600	T-BAR
5	2-300-196	HOUSING- BRUSH END 3.62 POTTED TXT	35	2012700	SPRING- (T-BAR)
6	2-400-101	PLAIN END HOUSING ASSEMBLY	36	2013000	E-RING
7	144-049	BEARING- FLANGE	37	2010100	KNOB-TILT
8	880-003	**SEAL	38	2031852	HINGE- MACHINED
9	880-006	**SEAL-W/SHIELD	39	2037300	BUSHING-HINGE [2 EA.]
10	188-036	BRUSH ASSEMBLY 3.625 [2.EA]	40	2011385	SCREW, TENSION/KNOB
11	725-050	PAPER TUBE- BRUSH RETENTION	41	2062800	TENSION BLOCK-SNAP IN
12	738-036	BRUSH PLATE WITH HOLDER	42	2061520	COLLAR-DEPTH ENDURA
13	975-040	SPRING- TORSION [2.EA]	43	2011365	SCREW-COLLAR/NEW KNOB
14	337-036	**GASKET	44	2050609	LEADWIRE (10 GA) SPADE TERM
15	701-008	**O-RING—THRU BOLT [2.EA]	45	2020702	SPADE TERMINAL [2 EA.]
16	701-081	**O-RING	46	2062551	CONTROL BOX W/HAND
17	830-007	SCREW- 8-32X1 [2.EA]	47	2064023	SWITCH FWD/REV 5 SP
18	830-042	THRU BOLT 10-32X8.83 [2.EA]	48	2033400	SCREW 10-24X1-3/4
19	990-067	WASHER- STEEL	49	2013110	NUT- HEX 10-24
20	990-070	WASHER- NYLATRON [2.EA]	50	2060290	CONTROL BOX COVER- GREY
21	2099092	MOTOR-ASSEMBLY 12V 3.62 5SPC TXT	51	2065633	DECAL-COVER CABELA 55 TRA
22	2032053	TUBE (COMPOSITE) 42"	52	2005601	DECAL- CABELA TOURN SERIES
■	1378122	PROPELLER KIT	53	2990912	HANDLE ASSEMBLY W/ U-JOINT 5SP
24	2091150	PROP (WEEDLESS WEDGE)	54	2302742	SPRING-DETENT (OFF) SS
25	2151726	WASHER-PROP 5/16 STD SS	55	2302743	SPRING-DETENT HANDLE-TILT
26	2053101	NUT-PROP MED 5/16 SS	56	2302745	SPRING-RELEASE BUTTON SS
27	2092600	PIN-DRIVE SS	57	2303720	RELEASE BUTTON-HANDLE
■	2771960	BRACKET & HINGE ASSEMBLY (INCLUDES- 30—41)	58	2060408	HANDLE (TOP HALF)
■	2771901	BRACKET ASSEMBLY (INCLUDES- 30,32,33)	59	2060415	HANDLE (LOWER HALF)
*30	2031931	BRACKET DIE CAST- FW PAINT	60	2303412	SCREW-6-20 X 5/8 SELF TAP [11 EA.]
			61	2060005	BEARING-HANDLE PIVOT [2 EA.]

****Seal & Oring Kit P/N 2888460**

* This item is part of an assembly. This item cannot be sold separately due to machining and /or assembly that is required.

P/N 2064915 REV. A 11-00

