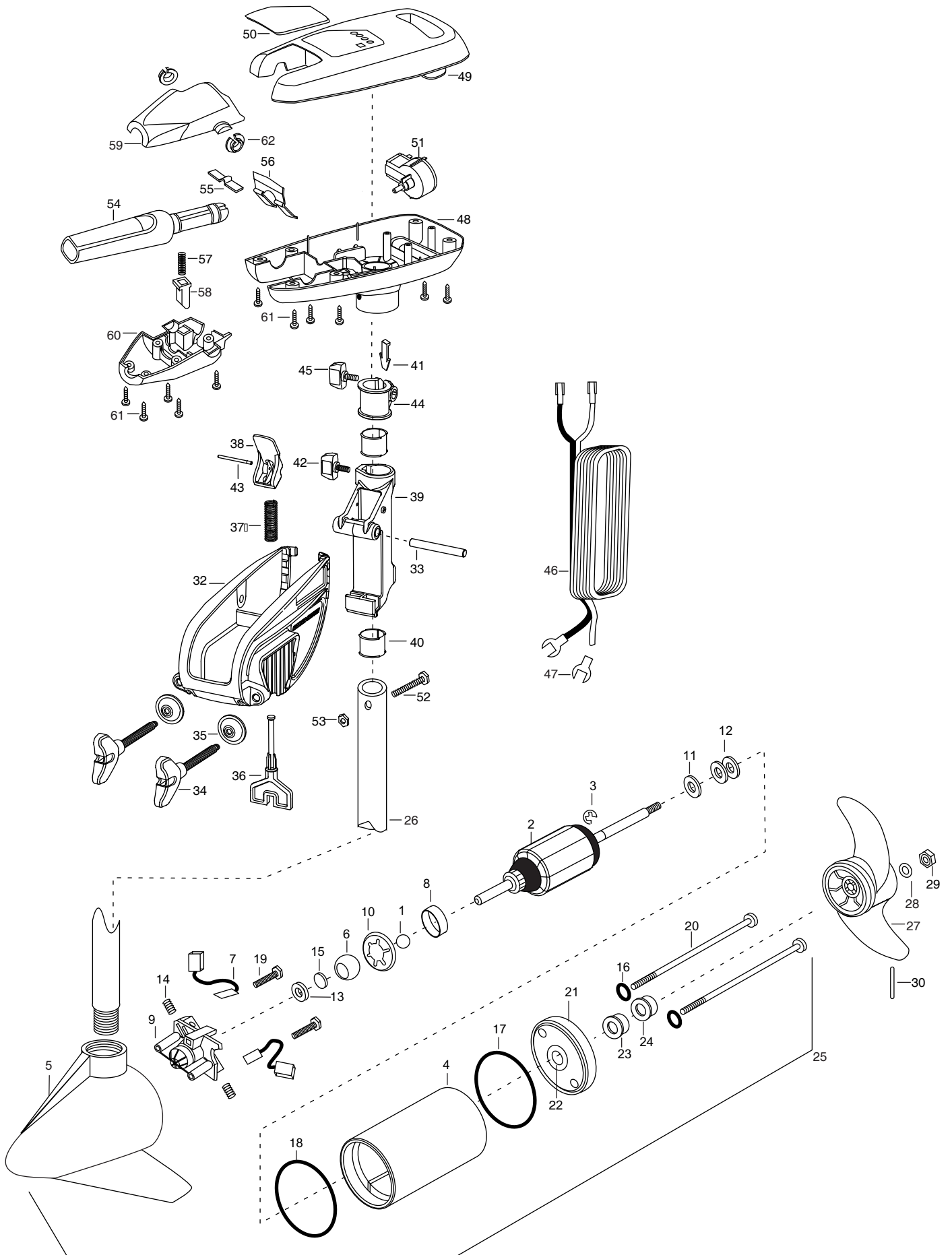


65 TURBO
36 LBS THRUST
12 VOLT
36" SHAFT



1	116-020	BALL - STEEL	■	2771818	BRACKET & HINGE ASSEMBLY
2	2-100-178	ARM ASSEMBLY 12V 3.25	■	2771910	BRACKET W/CLAMP SCREW ASSEMBLY (INCL.32,34,35)
3	788-015	RETAINING RING	*32	2061910	BRACKET PLASTIC
4	431-079	HOUSING ASSEMBLY CENTER 3.25 TXT	33	2060510	PIN-HINGE- ENDURA
5	2-300-132	BRUSH END HOUSING ASSEMBLY	*34	2061300	SCREW- CLAMP
6	144-050	BEARING - SPHERICAL	*35	2011710	WASHER- CLAMP SCREW 1.5OD
7	188-052	BRUSH ASSEMBLY [2 EA]	■	2881300	CLAMP SCREW, WASHER, RETAINER KIT
8	725-033	BRUSH RETENTION	36	2063605	T-BAR PLASTIC
9	737-031	BRUSH PLATE W/HOLDER 3.25 ASSEMBLY INCLUDES 6, 9, 10, 13	37	2062706	SPRING- T-BAR ENDURA
10	784-036	BEARING RETAINER	38	2067201	LEVER- TILT BLACK
11	990-067	WASHER- STEEL THRUST	39	2061810	HINGE-PLASTIC
12	990-070	WASHER- NYLATRON [2 EA]	40	2037301	BUSHING-HINGE [2.EA]
13	991-025	WASHER- FELT	41	2062800	TENSION BLOCK- SNAP IN
14	975-032	SPRING - COMPRESSION	42	2011385	SCREW-TENSION/NEW KNOB
15	303-039	THRUST DISC- METAL	43	2060515	PIN- TILT LEVER
16	701-007	**O-RING [2. EA]	44	2061520	COLLAR-DEPTH ((ENDURA)
17	701-041	**O-RING	45	2011365	SCREW-COLLAR/NEW KNOB
18	701-039	**O-RING MK406460	46	2050609	LEADWIRE (10 GA SPADE TERM)
19	830-001	SCREW- SELF-THREAD 8-32X1.7 [2.EA]	47	2020702	SPADE TERMINAL 10GA. [2. EA]
20	830-078	THRU BOLT 8-32 X 8.96 [2. EA]	48	2062551	CONTROL BOX W/HAND
21	2-400-127	PLAIN END HOUSING ASSEMBLY	49	2060281	CONTROL BOX COVER- (BLACK)
22	144-049	FLANGE BEARING (SERVICE ONLY)	50	2065684	DECAL COVER-65T
23	880-003	**SEAL	51	2064023	SWITCH-FWD/REV -5 SP
24	880-006	**SEAL WITH SHIELD	52	2033400	SCREW-10-24 X 1-3/4
25	2069041	MOTOR ASSEMBLY 12V 3.25 5SPC TXT 47	53	2013110	NUT-HEX 10-24 ZCP
26	2032052	TUBE (COMPOSITE) 36"	54	2990912	HANDLE ASSEMBLY W/U-JOINT 5SP
■	1378126	PROP KIT	55	2302742	SPRING-DETENT (OFF) (SS)
27	2061125	PROP- W.WEDGE	56	2302743	SPRING-DETENT (HANDLE)
28	2151726	WASHER- 5/16 STD SS	57	2302745	SPRING-RELEASE BUTTON (SS)
29	2053101	NUT-PROP NYLOC	58	2303720	RELEASE BUTTON-HANDLE
30	2092600	PIN-DRIVE (SS)	59	2060408	HANDLE (TOP HALF)
			60	2060415	HANDLE (LOWER HALF)
			61	2303412	SCREW-6-20 X 5/8 SELF TAP [11. EA]
			62	2060005	BEARING-HANDLE PIVOT [2. EA]

